

Remington 597 Trigger Upgrade Kit

Operators Instruction Manual



2737 Nettle Ave. - Sheldon, IA 51201

Phone: 712-324-7409

Email: jardinc@excite.com - www.jardinc.com



This fire control system is intended for use only by experienced competitive shooters and professionals. You must take responsibility for your own actions. We will not be responsible for any loss, injury, or death resulting from the use or misuse of this product.

The handling and use of firearm bears with a certain unavoidable risks, like sky diving and rock climbing. If you are not willing to accept responsibility for your own actions, guns are not for you.

The use of any custom parts or modifications may void any warranty from the manufacturer of your firearm.

Returns will not be accepted on any parts that have been modified.

If you do not have a thorough understanding of the Remington 597 trigger system and the purpose and function of all the parts, do not attempt to install this system. Have it installed by an experienced gunsmith.

Read the instructions completely before beginning the procedure.

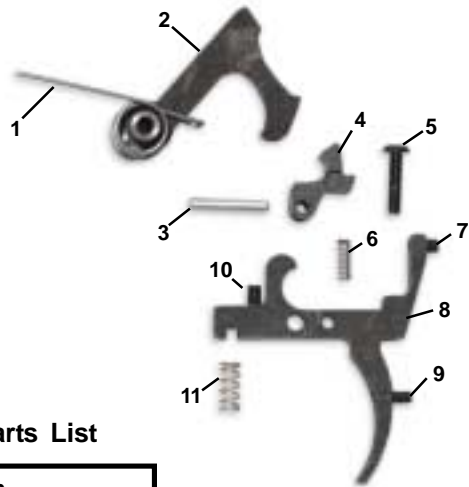
1. Remove the magazine and visually check the chamber to verify it is not loaded.
2. Disassemble the gun to access the trigger housing.
3. From the factory housing, remove the following pins with a punch.

- A) Trigger pivot pin (bottom rear)
- B) Toggle spring retainer (bottom center)
- C) Hammer pivot pin (top front)
- D) Sear pivot pin (below hammer pin)

This will allow removal of the above components.

4. The Jard upgrade kit will only use two holes and pins.
 - A) The hammer pivot hole will accept the Jard hammer
 - B) The original toggle spring retainer pin hole will be the trigger pivot location for the Jard upgrade trigger.
5. Dissassemble the Jard upgrade kit. Clean all threads, then apply thread locker to the screws and reassemble.
6. Hold the trigger assembly upside down and set the trigger return spring into the spring pocket on the bottom side of the trigger.
7. While holding the trigger assembly upside down, lower the trigger housing over the trigger. (A dab of grease in the spring pocket can assist holding the spring in the pocket.) Align the trigger with hole stated in step 4 and insert a pin.
8. Install the Jard hammer and spring assembly into the housing. Using the pivot hole stated in step 4.

9. With a hex key adjust the overtravel screw (front screw) so the hammer misses the sear edge while the trigger is held in the fire position.
10. Now adjust the sear engagement screw (top rear). Start with a cocked hammer and slowly turn the screw in until the hammer releases. Then back the screw off until a safe amount of sear engagement exists.
11. Now adjust the disconnect screw by placing the hammer in a cocked position. Adjust the disconnect to rub against the hammer as much as possible without latching, when you depress the hammer.
12. Adjust the safety screw so there is no trigger movement when the hammer is cocked, and with the safety on.
13. Perform all safety and function checks.
14. Reassemble the rifle.
15. Allow loctite to dry 24 hours before using.



Remington 597 Trigger Parts List

| Ref # | Part # | Description |
|-------|--------|--------------------------|
| 1. | 1010 | Hammer Spring |
| 2. | 1293 | Hammer |
| 3. | 1009 | Disconnect Pin |
| 4. | 1296 | Disconnect |
| 5. | 1523 | Disconnect Screw |
| 6. | 1062 | Disconnect Spring |
| 7. | 1130 | Sear Engagement Screw |
| 8. | 1297 | Trigger |
| 9. | 1390 | Safety Screw |
| 10. | 1160 | Overtravel Screw |
| 11. | 1011 | Trigger Spring 1 lb. |
| - | 1012 | Trigger Spring 1-1/2 lb. |
| - | 1013 | Trigger Spring 2 lb. |
| - | 1014 | Trigger Spring 2-1/2 lb. |
| - | 1015 | Trigger Spring 3 lb. |
| - | 1016 | Trigger Spring 4 lb. |
| - | 1020 | Thread Locker |

Order by Part # and Description

JARD, Inc.

2737 Nettle Ave. - Sheldon, IA 51201

Phone: 712-324-7409

Email: jardinc@excite.com - www.jardinc.com